

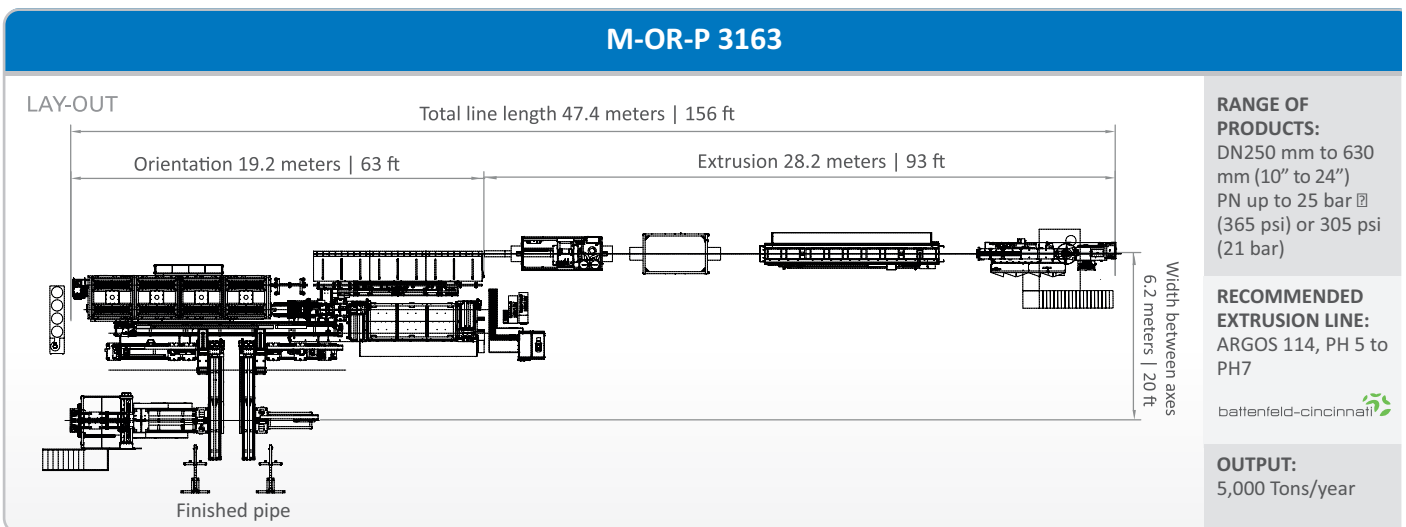
The Genuine Air Technology to achieve  
the most of PVC-O pipes

# M-OR-P 3163

## PVC-O pipes of great quality

The **M-OR-P 3163** system can produce large pipes of high pressure requirements for potable water supply, reclaimed water networks, irrigation or other municipal uses, mainly for the public sector.

### Lay-out



- **Diameter:** from DN250 mm to DN630 mm / 10" to 24"
- **Pressure:** PN25 bar / (365 psi) or 305 psi (21 bar)
- **Socket system:** integrated or ISS+
- **Orientation degree:** Class 500
- **Output:** 5,000 Tons / year

### Standards

M-OR-P 3163									
CEN	ISO	AS/NZS	ASTM		AWWA	CSA		NBT	SASO ISO
17176	16422	4441	1483-05		909-09	B137.3.1		15750	16422:2009
DN mm	DN mm	DN mm	DN inch		DN inch	DN inch		DN mm	DN mm
			IPS	CIOD	CIOD	IPS	CIOD		
250	250								250
280	280	250	10"	10"	10"	10"	10"	250	280
315	315		12"	12"	12"	12"	12"	300	315
355	355	300	14"	14"	14"	14"	14"	300	355
400	400	375	16"	16"	16"	16"	16"	350	400
450	450		18"	18"	18"	18"	18"	400	450
500	500	450	20"	20"	20"	20"	20"	450	500
560	560	500		20"	20"		20"	500	560
		560	24"			24"			
630	630	600		24"	24"		24"	600	630

# Overcoming technological walls



Ever since its creation, **MolecOR** has always been committed to innovation, research and the development of new solutions to meet the new challenges and requirements of the water transportation nowadays.

With a team of professionals with a proven experience in the sector and availing themselves with the latest technologies in design, **MolecOR** has develop, in only a few years, a system for manufacturing **PVC-O pipes**, has overcome the range barriers existing up to date and has developed new belling systems.

## Security & Reliability

### Dry system



The **Genuine Air System** developed by **MolecOR** besides being **safe and clean** is also energy efficient.

### Stability



Disconnection to **prevent the collapse of the line** in case of punctual failures. This would imply a failure in a single tube, which would not affect the full extrusion line.

### Automatic System & Control



**Recipe system** with low learning curve. Automatic sequence programming with graphic symbols.

### Remote Assistance



Continuous access from **MolecOR** headquarters to the monitors with possible malfunctions. **Remote preventive maintenance.**

## Standards & Certifications

The technology developed by **MolecOR** meets the requirements of various **international standards**. What is more, custom projects that do not comply with a listing of standards are supported during the certification and standardization processes when required.

**Quality equipment:** the product complies with safety, health and environmental requirements of the EU as well as with the placing the CE mark on the product.

